

江 阴 市 华 瑞 塑 胶 建 材 有 限 公 司

JIANGYIN HUARUI BUILDING PLASTIC CO., LTD.

Address:No.17th Huahong Rd. Zhouzhuang, Jiangyin City, China. Post Code: 214423

Tel:+86-510-86228228 Fax:+86-510-86235118 Email: info@upvcprofiles.com <http://upvcprofiles.com>

Jiangyin Huarui Building Plastic Co.,Ltd is a Sub company of Jiangsu Huahong Industrial Group Co, Ltd. We located at Jiangyin City, 140KM away from Shanghai, China. Our main product is UPVC profiles for windows and doors, UPVC fence etc. We were established in 1999. We are specialized in manufacturing UPVC profiles for windows and doors, fence etc. Outputting 12,000 tons of UPVC profiles annually, our products are sold well in China and exported to many countries such as Russia, Poland, and UK etc. The sales to overseas clients currently account for 35% of our total turnovers.

Our series include 58, 60, 62, 80, 80,88mm width UPVC profiles, for casement and sliding doors and windows, as well as UPVC fencing. The aim of the company is to create famous brand products, establish the enterprise with special character, produce new plastic building materials of first class in the world by means of international advanced equipment and technology to make contribution to beautification of human environment

We have high quality employees and 30% of them have an education experience of at least junior college. We kindly welcome all enterprises involved in building design, construction and decoration, in addition to UPVC doors and windows assembly factories, importers and distributors, to enter into direct business relations with us on the basis of mutual benefit.

Company overview



Group Office Building

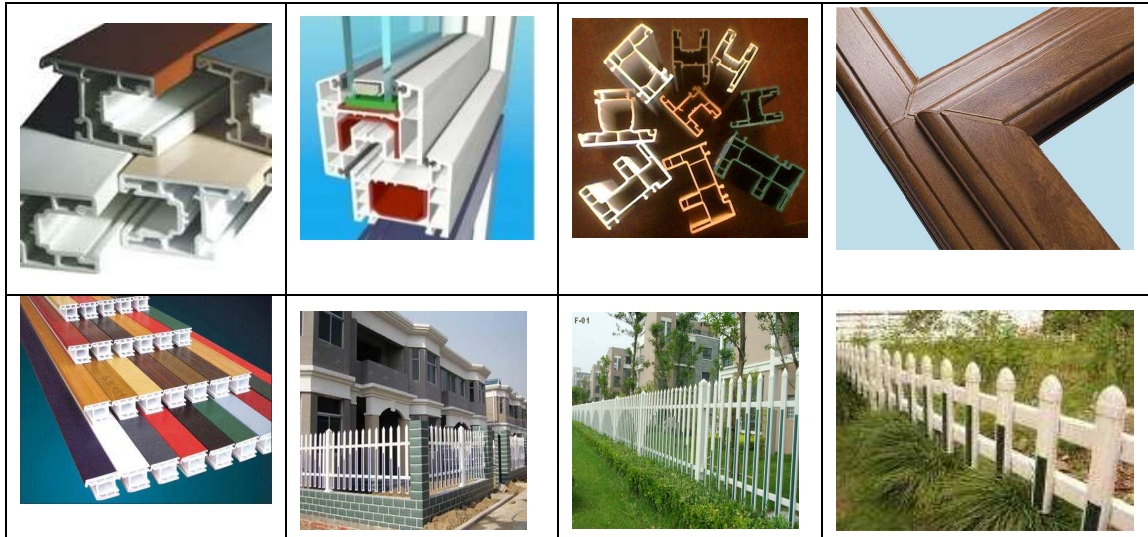


Group Industrial Park

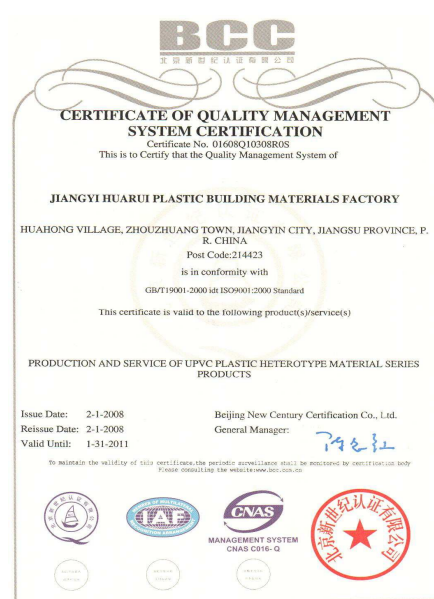


UPVC Production lines

Product overview:



Certificate of AQSIQ



Certificate of ISO9001



Famous Brand In Jiangsu



Patent Certificate

Feather of products:

I. UPVC profiles:

- (1). **Low cost.** The cost of UPVC windows is 20%-40% lower than standard Aluminum windows.
- (2). **Heat insulate and energy saving.** UPVC itself is the ideal material of head insulate, with rubber garnish, seal strip and profile's muti-chambers design make this advantage obviously.. Compared with wood window installed rooms, UPVC double galls window installed rooms saving 30% air conditioner emerge.
- (3). **Water proof.** Our UPVC profiles have in depend chambers for outlet rain water. There needn't worry about heavy rain water in the summer.
- (4). **Wind proof.** UPVC itself have less strength than Aluminum, but the chambers of UPVC profiles can install reinforcement steel, this makes UPVC windows have better wind proof than Aluminum windows. The standard reinforcement steel has a thickness from 1.5mm-2mm.
- (5). **Sound proof.** UPVC windows with double or tribe glazed have wonderful sound insulate, is the best sound proof windows till now.
- (6). **Weather proof.** Test appears that good UPVC windows can last more than 30 years even under strong UV of tropical area and cold area without fading and quality change.
- (7). **Fire proof.** Not like wood, UPVC is hard to burn.
- (8). **Maintenance free.** UPVC windows almost no need to maintenance, no rot, no fad, easy to clean.
- (9). **Attractive surface.** Our UPVC profiles have white, colored, double colored, wood imitation color etc. All what you need is tell us the ideal color of windows you want install in your lovely rooms.

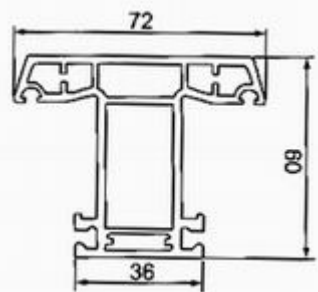
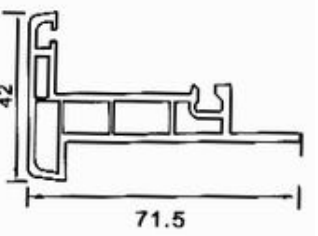
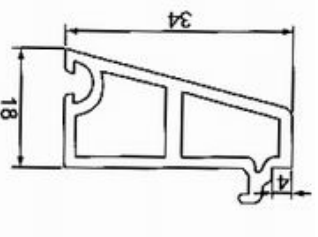
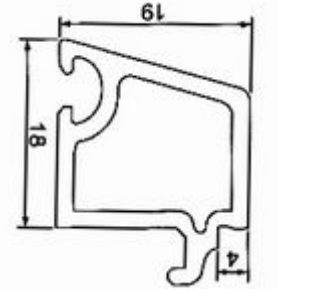
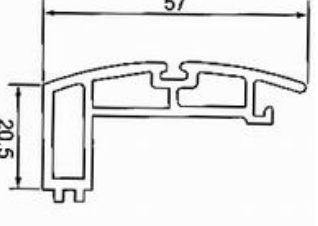
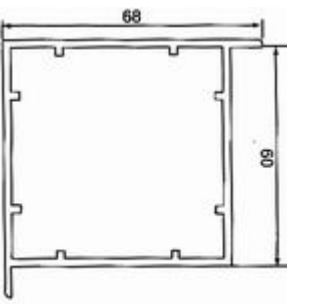
II. UPVC fence:

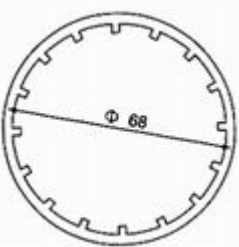
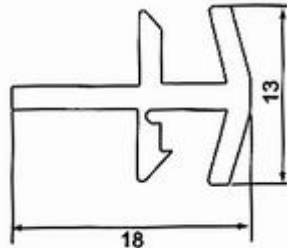
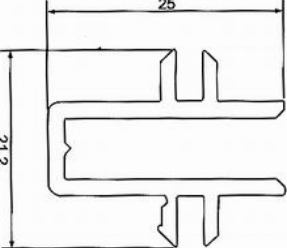
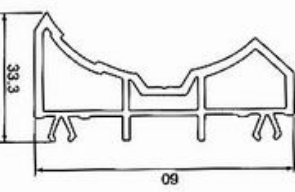
- (1). Beautiful color with smooth surface;
- (2). Painting and maintenance free;
- (3). High strength and tenacity than wood;
- (4). Easy and fast installation;
- (5). Long using life;
- (6). Environment protection;
- (7). Decrease hurt danger while collision

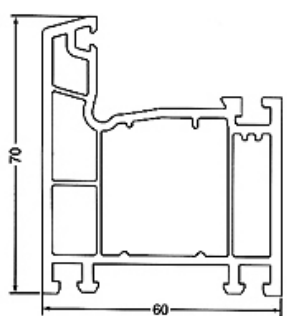
(8) Easy to install, need not welding machine or special equipment..

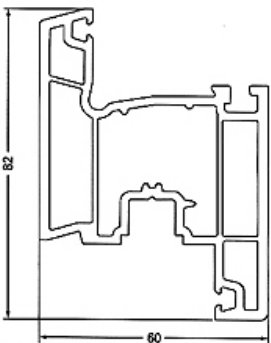
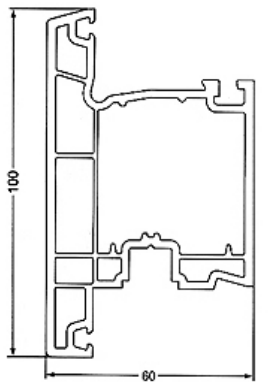
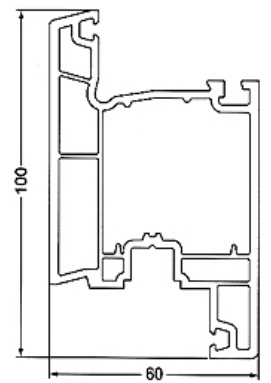
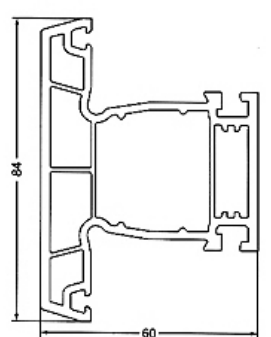
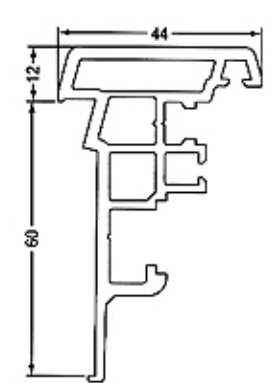
Product series:

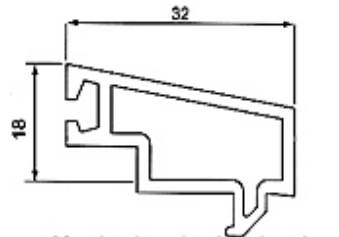
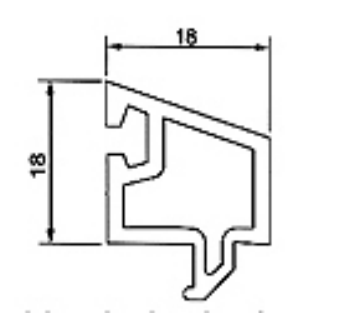
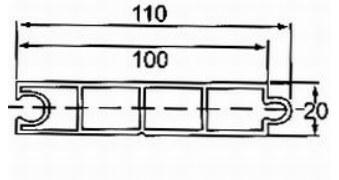
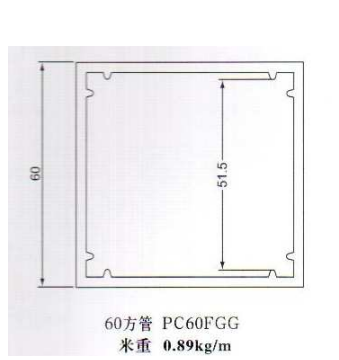
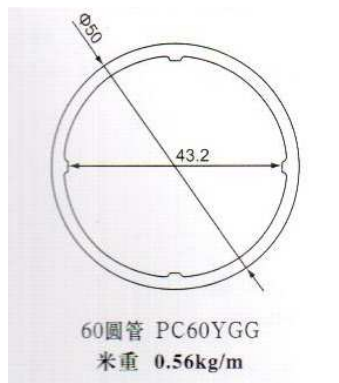
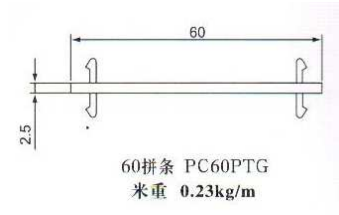
No.1: 60mm casement series (2.0-2.5mm wall thickness)			
Section drawing	Product code	Product name	KG/M
	PC60K	Window door frames	0.967 kg/m (2.0mm) 1.050 kg/m (2.5mm)
	PC60NS	Window sash open inward	1.042 kg/m (2.0mm) 1.117 kg/m (2.5mm)
	PC60WS	Window sash open outward	1.142 kg/m (2.0mm) 1.217 kg/m (2.5mm)
	PC60MS	Door sash	1.517 kg/m (2.0mm)
	PC60MB	Door panel	0.667 kg/m (2.0mm)
	PC60SS	Mosquito sash	0.45 kg/m (2.0mm)

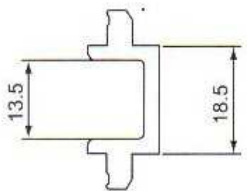
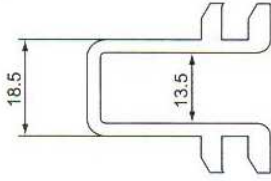
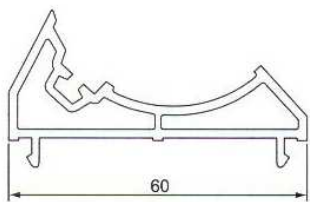
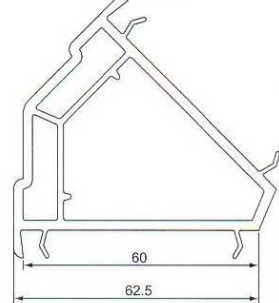
	PC60ST	T mullion	1.050 kg/m (2.0mm) 1.117 kg/m (2.5mm)
	PC60FST	Door mullion	0.642 kg/m (2.0mm)
	PC60DY	Single glass bead	0.285 kg/m (2.0mm)
	PC60SY	Double glass bead	0.185kg/m (2.0mm)
	MS60FB	Door edge	0.45 kg/m (2.0mm)
	PC60ZJ	Square corner	0.74 kg/m (2.0mm)

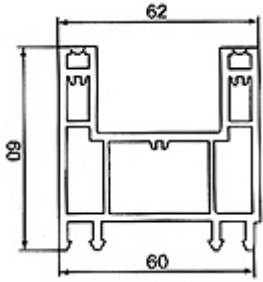
	PC60YG	Round pipe (un-regular corner used)	0.535 kg/m (2.0mm)
	PC60 PT-1	Jointer	0.095 kg/m (2.0mm)
	PC60PT-2	Jointer	0.152 kg/m (2.0mm)
	PC60PG	Jointer	0.567 kg/m (2.0mm)
	PC60YZG	Un-regular corner	0.55 kg/m (2.0mm)
Remark:			

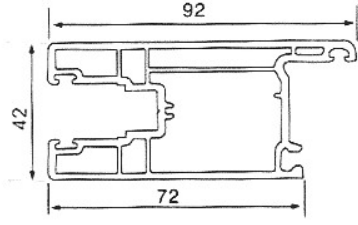
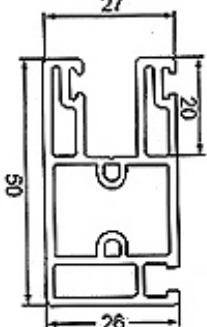
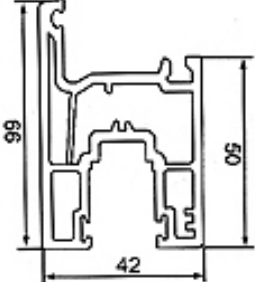
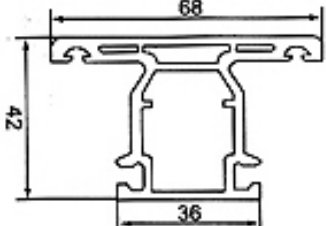
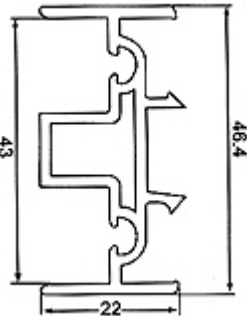
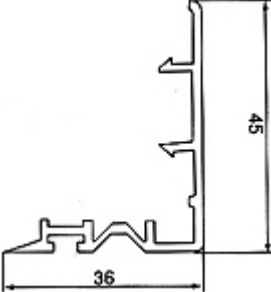
No. 2: 60mm casement series (2.5-2.8mm thickness)			
Section drawing	Product code	Product name	KG/M
	PC60KG	Window & door frame	1.150 kg/m(2.5mm) 1.266 kg/m(2.8mm)

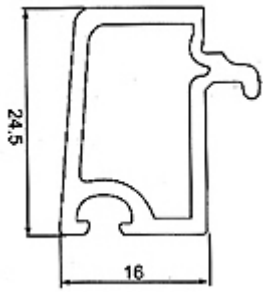
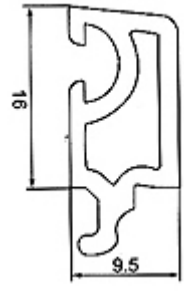
	PC60NSG	Window sash (inward)	1.27 kg/m(2.5mm)
	PC60WMSG	Door sash (open out-ward)	1.440 kg/m(2.5mm) 1.600 kg/m(2.8mm)
	PC60NMSG	Door sash (open inward)	1.42 kg/m(2.5mm)
	PC60STG	T mullion	1.25 kg/m(2.5mm) 1.35 kg/m(2.8mm)
	PC60FSTG	Door mullion	0.68 kg/m (2.0mm)

	PC60DYG	Single bead glass	0.26 kg/m (2.0mm)
	PC60SYG	Double bead glass	0.2 kg/m (2.0mm)
	PC60MB (2.0mm thick)	Door panel	0.667 kg/m (2.0mm)
 <p data-bbox="279 1142 422 1198">60方管 PC60FGG 米重 0.89kg/m</p>	PC60FGG	Square corner	0.89 kg/m (2.0mm)
 <p data-bbox="255 1534 446 1601">60圓管 PC60YGG 米重 0.56kg/m</p>	PC60YGG	Round pipe (un-regular corner used)	0.56 kg/m(2.0mm)
 <p data-bbox="295 1780 454 1848">60拼条 PC60PTG 米重 0.23kg/m</p>	PC60 PTG	Jointer	0.23 kg/m (2.0mm)

 <p>60拼条-1 PC60PTG-1 米重 0.20kg/m</p>	PC60PTG-1	Jointer	0.20 kg/m (2.0mm)
 <p>60拼条-2 PC60PTG-2 米重 0.43kg/m</p>	PC60PTG-2	Jointer	0.43 kg/m (2.0mm)
 <p>60圆转角 PC60YZJG 米重 0.52kg/m</p>	PC60YZJG	Un-regular corner	0.52 kg/m (2.0mm)
 <p>135° 转角G 米重 0.85kg/m</p>	PC60ZGG	135° corner	0.85 kg/m (2.0mm)
Remark:			

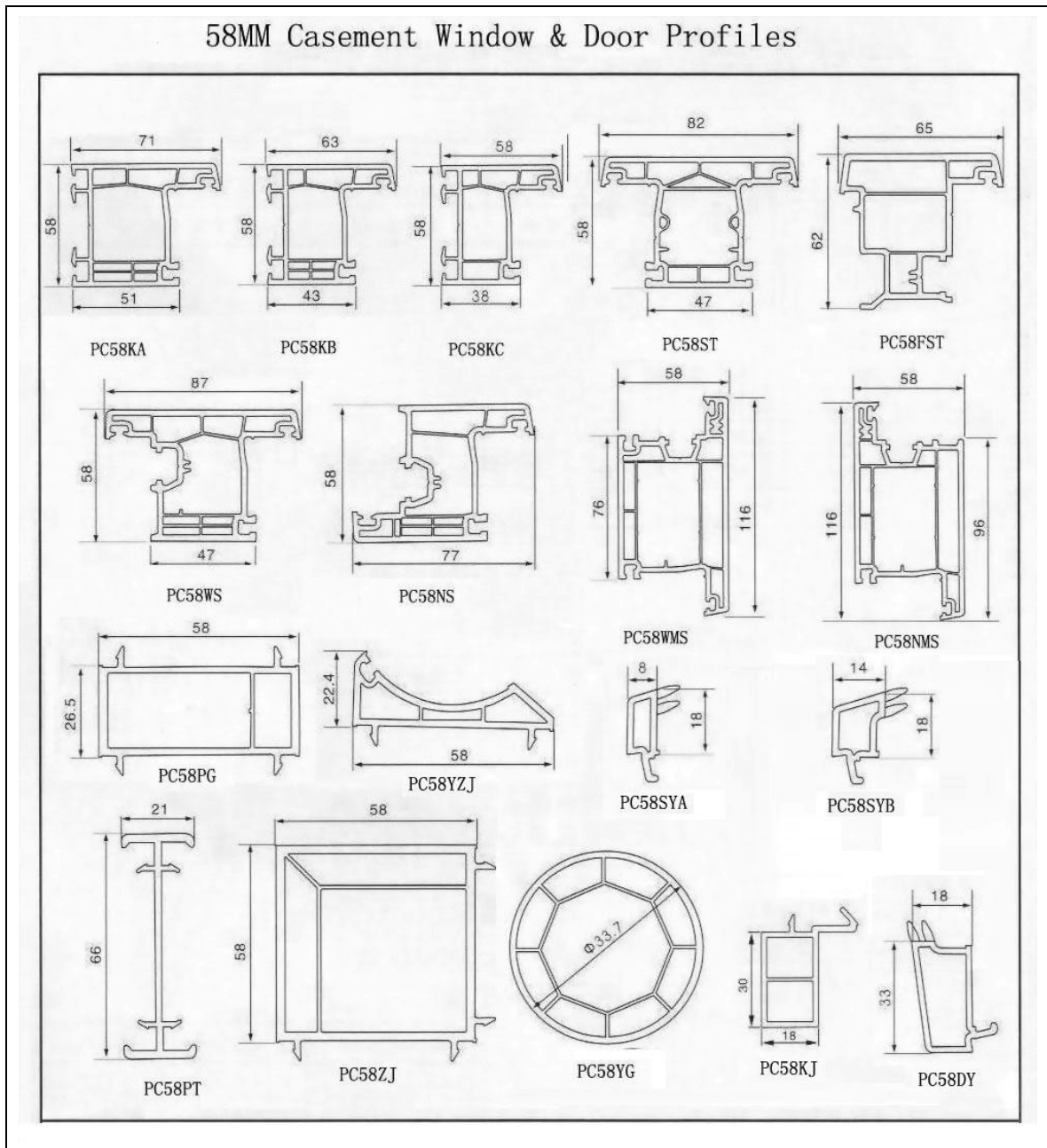
No.3: 62MM Sliding series (2.0-2.2mm thickness)			
Section drawing	Product code	Product name	KG/M
	TC62K	Frame	1.133 kg/m(2.0mm) 1.233 kg/m(2.2mm)

	TC62MS	Door sash	1.33 kg/m(2.2mm)
	TC96SS	Mosquito sash	0.55 kg/m (2.0mm)
	TC62S	Sliding Sash	0.950 kg/m(2.0mm) 1.033 kg/m(2.2mm)
	TC62ST	Mullion	0.717 kg/m (2.0mm)
	TC62GM	Cover	0.363 kg/m (2.0mm)
	TC62FG	Wind strip	0.23 kg/m (2.0mm)

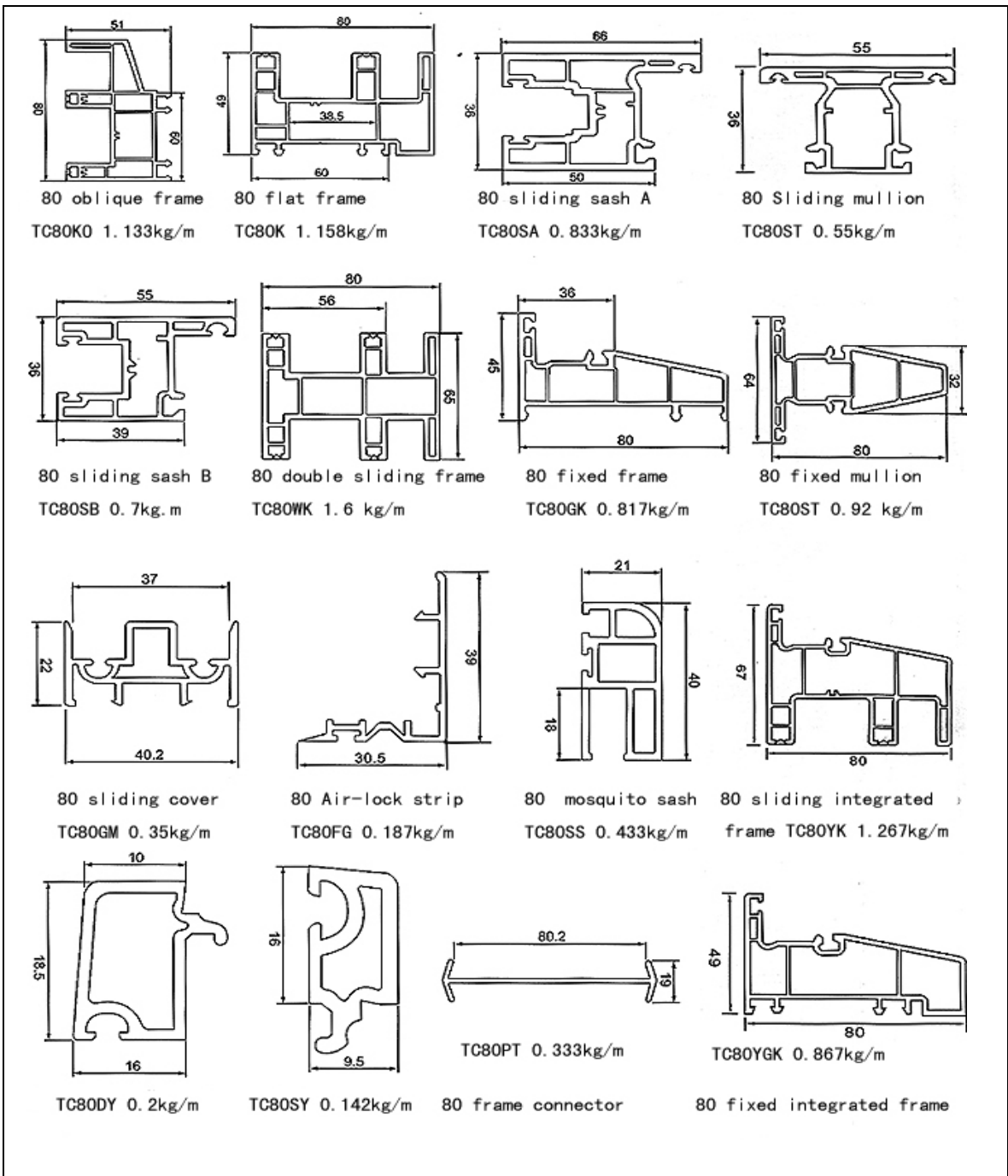
	TC62DY	Single glazing bead	0.218 kg/m (2.0mm)
	TC62SY	Double glazing bead	0.142 kg/m(2.0mm)
Remark:			

No.4: 58MM Casement series (2.5mm thickness)

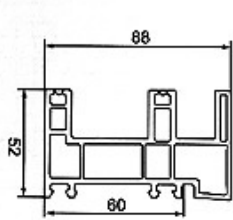
58MM Casement Window & Door Profiles



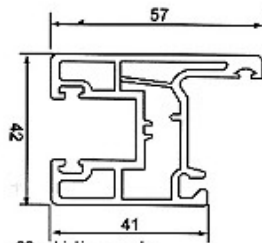
No.5: 80 mm Sliding series (2.0-2.2mm thickness)



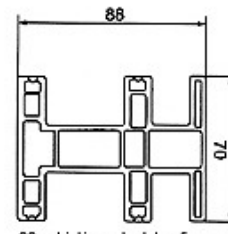
No.6: 88 mm Sliding series (2.0-2.2mm thickness)



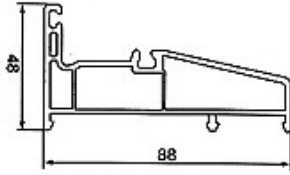
88 Sliding frame
TC88K 1.295kg/m



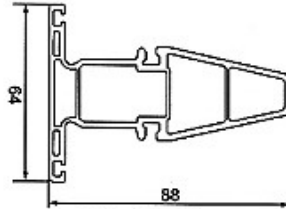
88 sliding sash
TC88S 0.794 kg/m



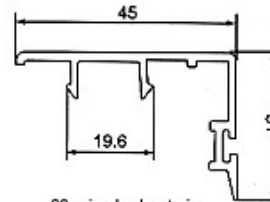
88 sliding double frame
TC88YK 1.65kg/m



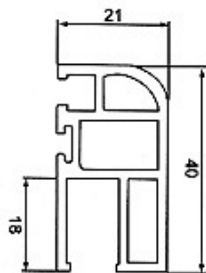
88 fixed frame
TC88GK 0.967kg/m



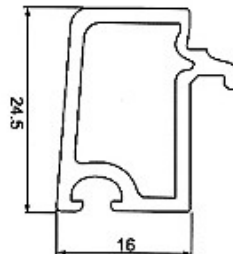
88 fixed mullion
TC88ST 1.05kg/m



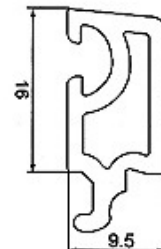
88 air-lock strip
TC88FG 0.22kg/m



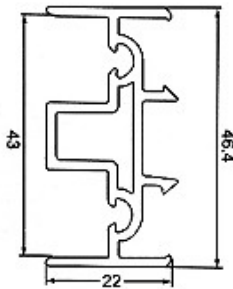
88 mosquito sash
TC88SS 0.433kg/m



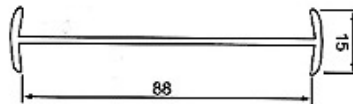
88 single glazing bead
TC62DY 0.218kg/m



88 double glazing bead
TC62SY 0.142kg/m

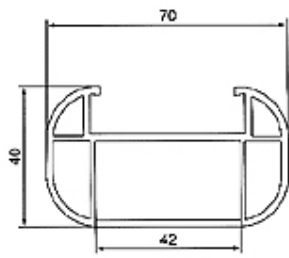


88 sliding cover
TC62GM 0.363kg/m

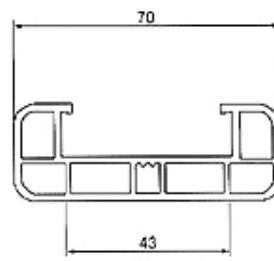


88 frame connector
TC88PT 0.333kg/m

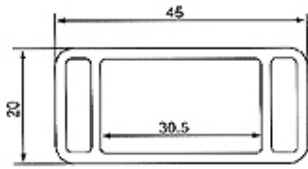
No.7: PVC fence profiles series and accessories



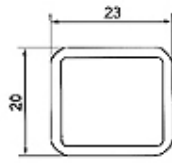
大单插
米重 0.65kg/m



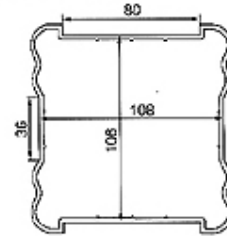
小单插
米重 0.6kg/m



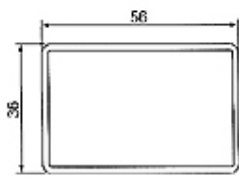
方管
米重 0.367kg/m



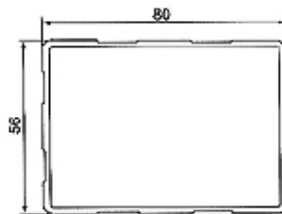
方管
米重 0.2kg/m



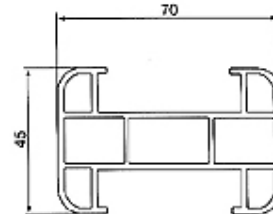
立柱
米重 1.567kg/m



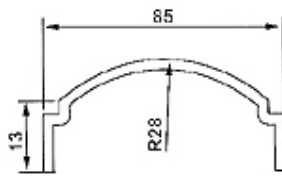
56×36方管
米重 0.45kg/m



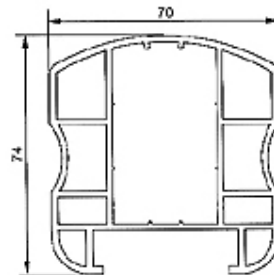
80×56方管
米重 0.833kg/m



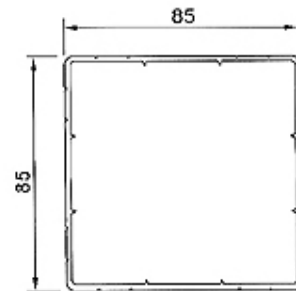
双插
米重 0.783kg/m



插片
米重 0.2kg/m



扶手
米重 1.117kg/m



85×85方管
米重 0.9kg/m



稳钉 01



扣盖 02



小栅栏条上帽 03



小栅栏条下帽 04



小栅栏条承插 05



横撑承插 06



横撑上帽 07



横撑底座 08



楼梯承插 09



小立柱上帽 10



小立柱底座 11



中立柱上帽 12



中立柱底座 13



大立柱上帽 14



大立柱底座 15



园林承插 16



中栅条上尖帽 17



中栅条下帽 18



大栅条上帽 19



大栅条下帽 20